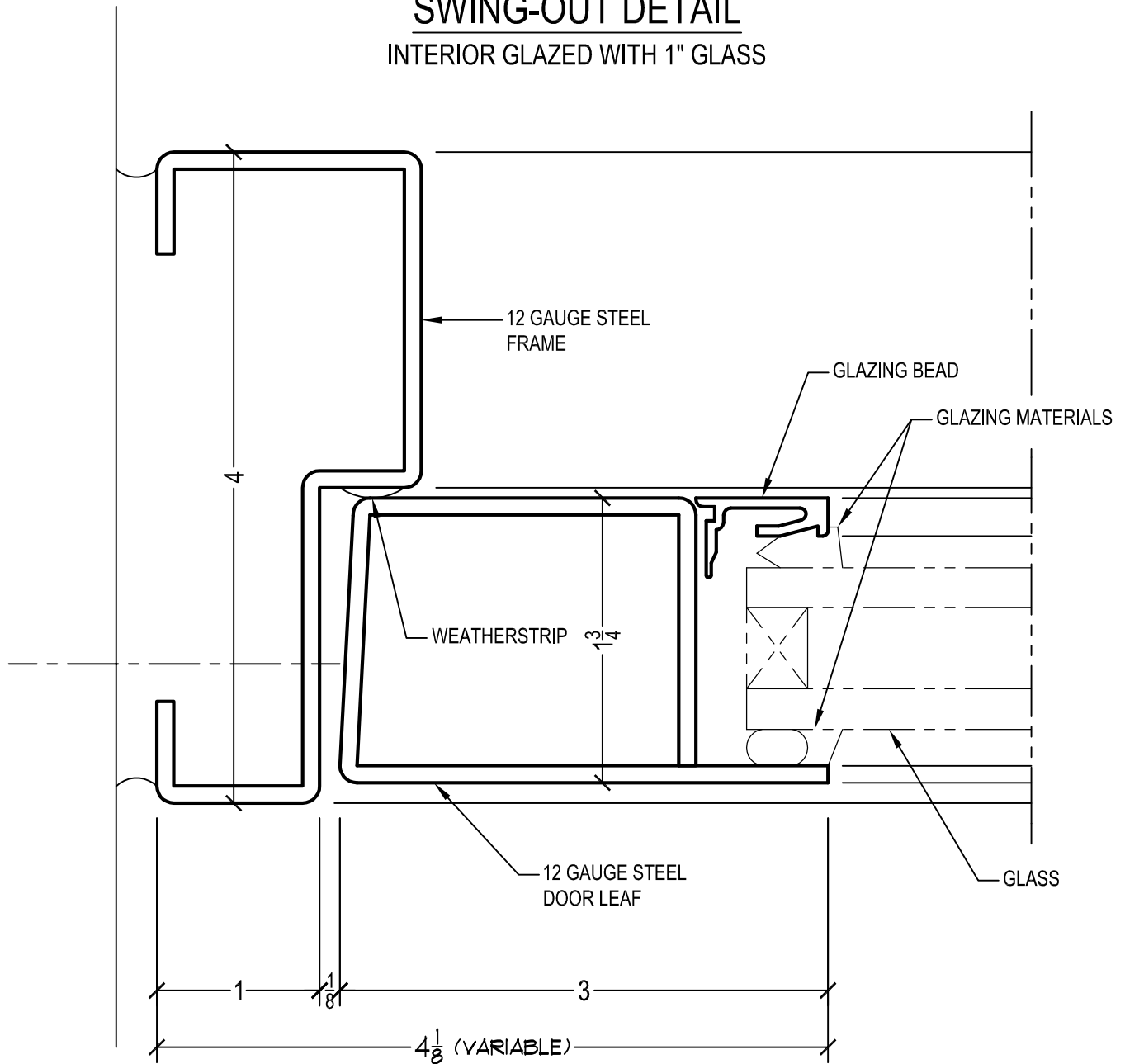


SEE THE "DOWNLOAD" LINK
TO ACCESS CAD FILES FOR
COMPLETE SELECTION OF DETAILS

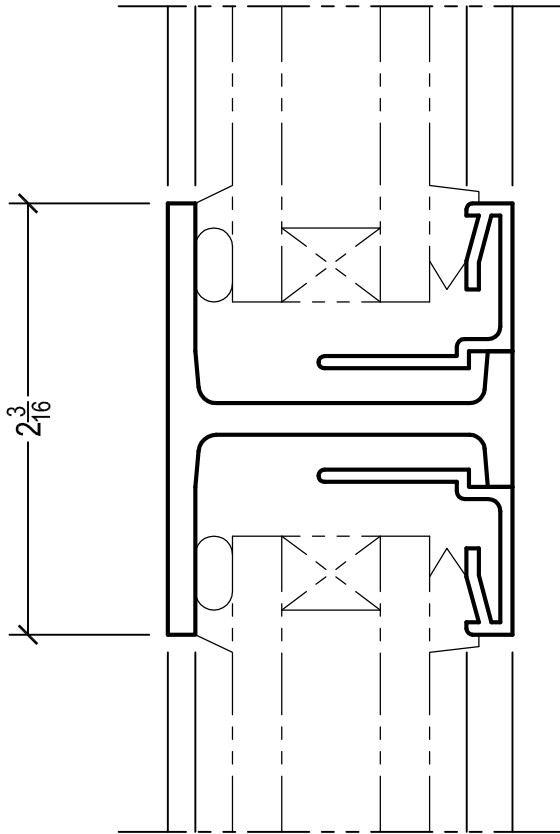
SWING-OUT DETAIL INTERIOR GLAZED WITH 1" GLASS



HOPE'S®

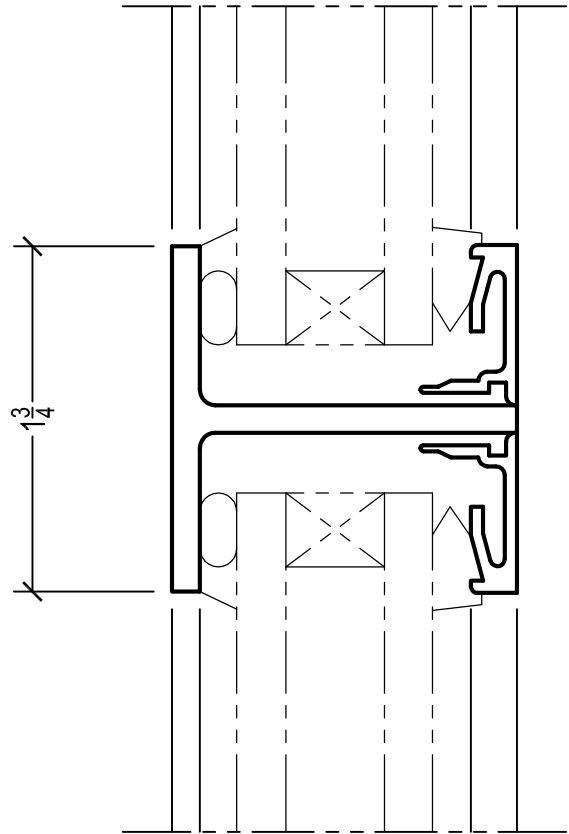
5000 Series™

TYPICAL FULL SIZE DETAILS



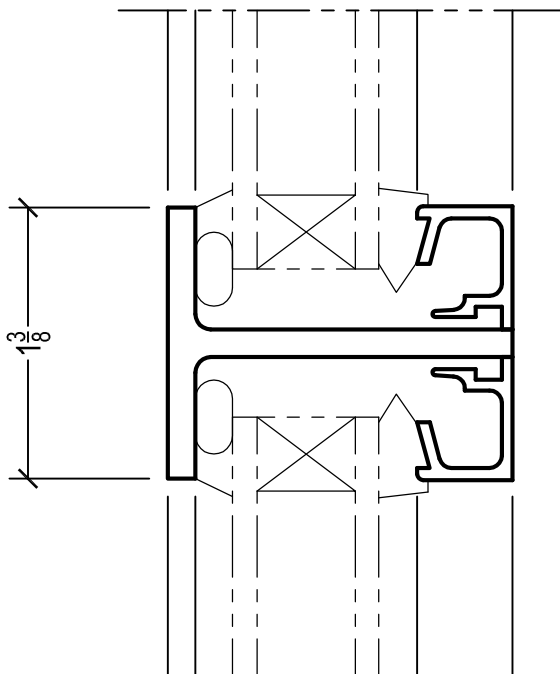
#175M TRUE MUNTIN DETAIL

INTERIOR GLAZED WITH 1" GLASS



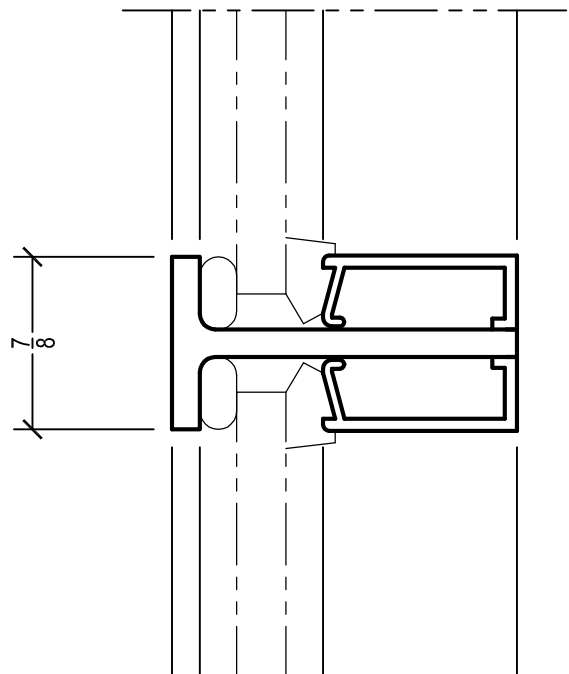
#T175L TRUE MUNTIN DETAIL

INTERIOR GLAZED WITH 1" GLASS



#T138L TRUE MUNTIN DETAIL

INTERIOR GLAZED WITH 3/4" GLASS



#T875L TRUE MUNTIN DETAIL

INTERIOR GLAZED WITH 1/4" GLASS