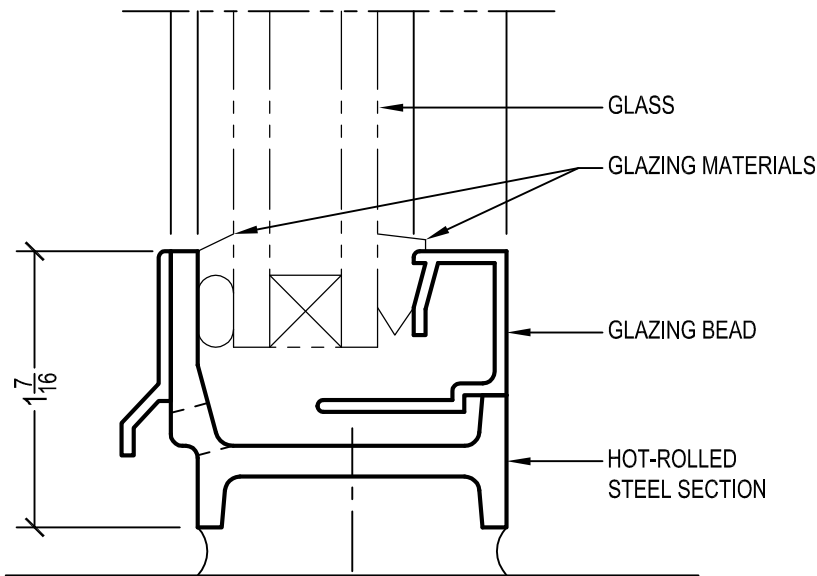


HOPE'S®

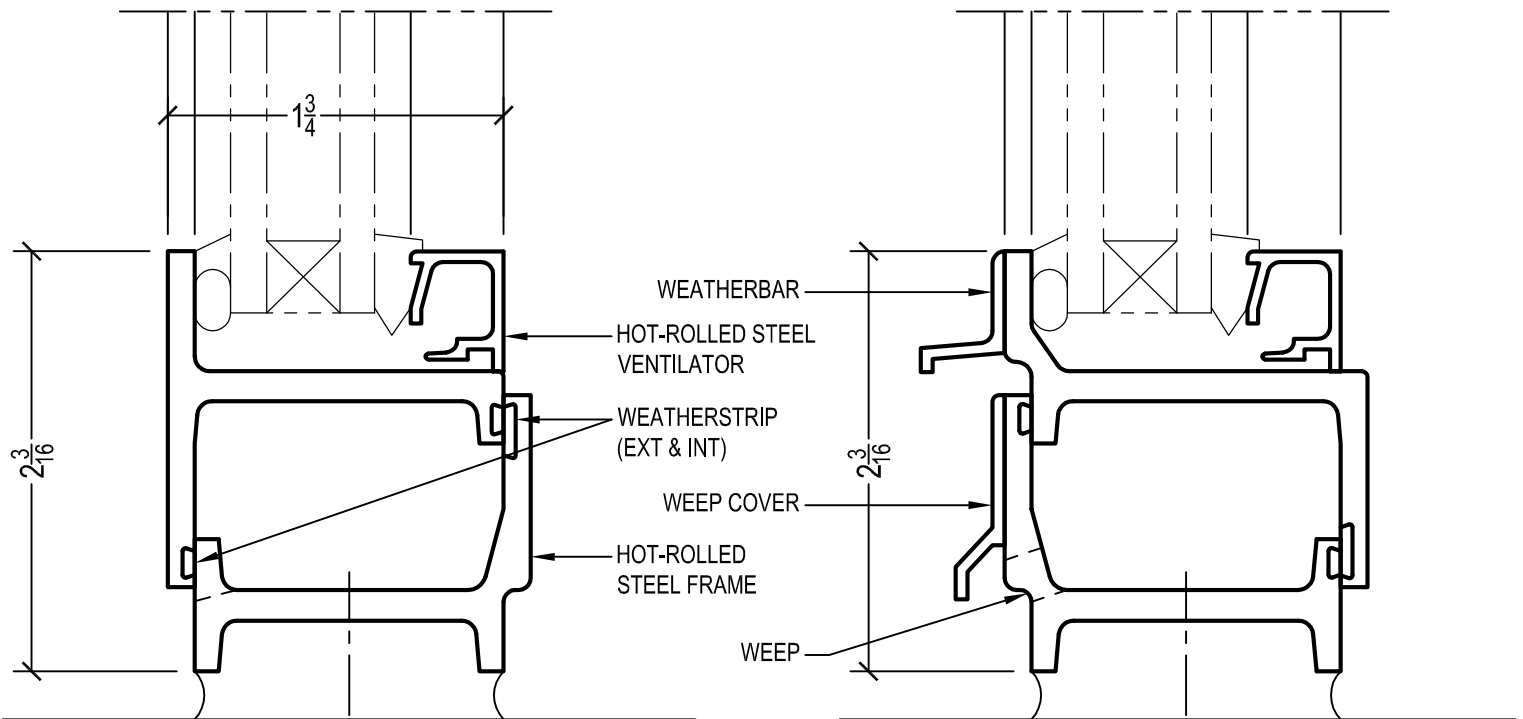
Landmark 175™ Series

TYPICAL FULL SIZE DETAILS

SEE THE "DOWNLOAD" LINK
TO ACCESS CAD FILES FOR
COMPLETE SELECTION OF DETAILS



FIXED DETAIL
INTERIOR GLAZED WITH 3/4" GLASS

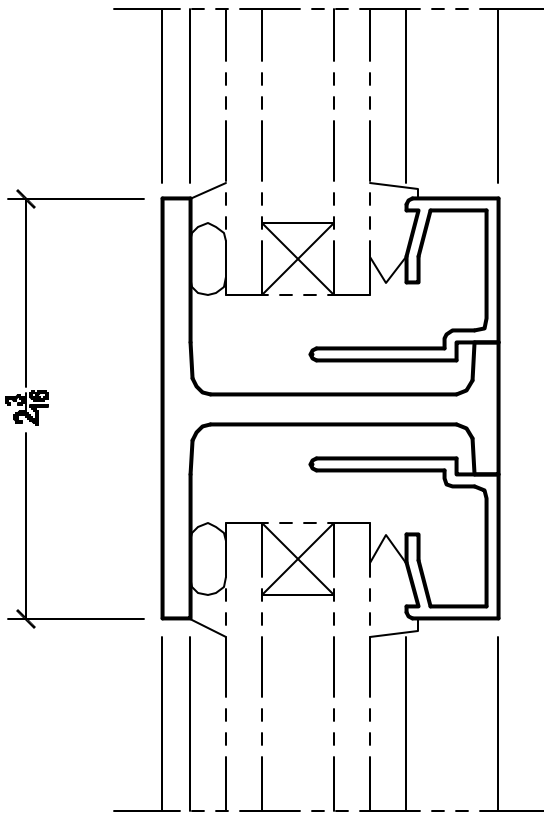


SWING-OUT DETAIL
INTERIOR GLAZED WITH 3/4" GLASS

SWING-IN DETAIL
INTERIOR GLAZED WITH 3/4" GLASS

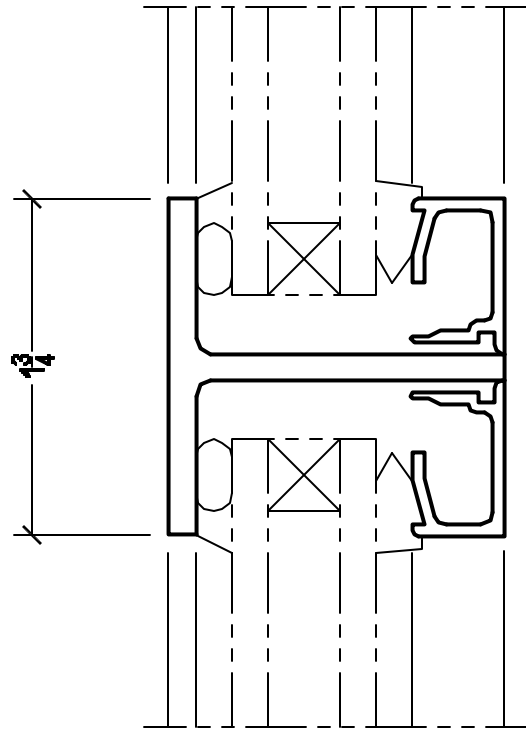
HOPE'S

STEEL WINDOWS & DOORS



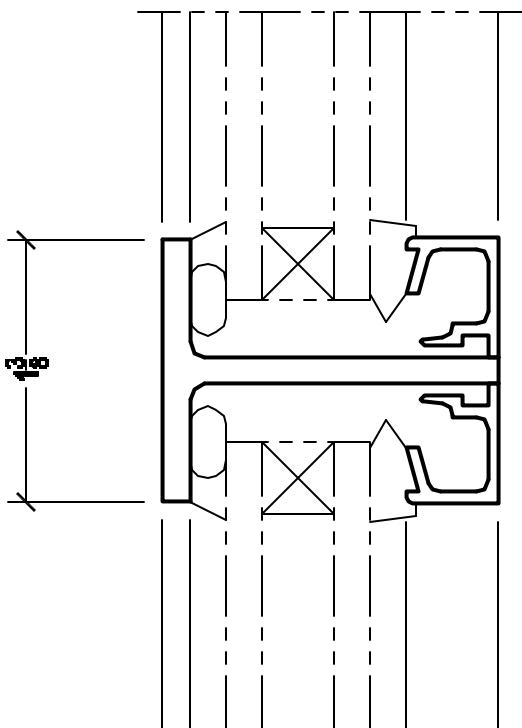
#175M TRUE MUNTIN DETAIL

INTERIOR GLAZED WITH 3/4" GLASS



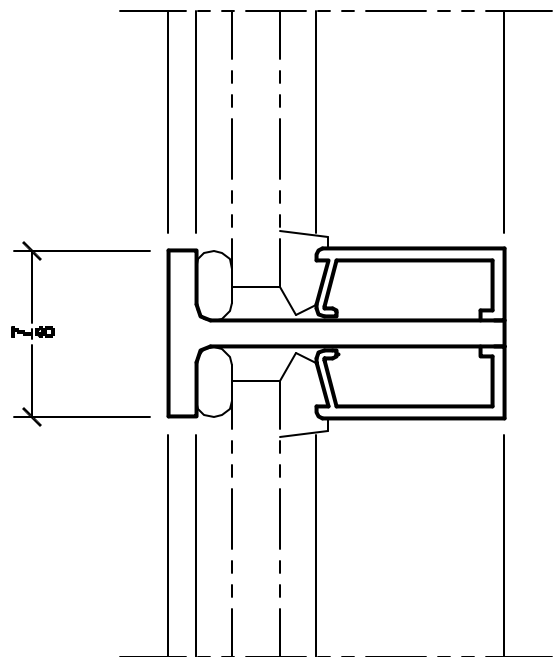
#T175L TRUE MUNTIN DETAIL

INTERIOR GLAZED WITH 3/4" GLASS



#T138L TRUE MUNTIN DETAIL

INTERIOR GLAZED WITH 3/4" GLASS



#T875L TRUE MUNTIN DETAIL

INTERIOR GLAZED WITH 1/4" GLASS